

FE-13 Component Description

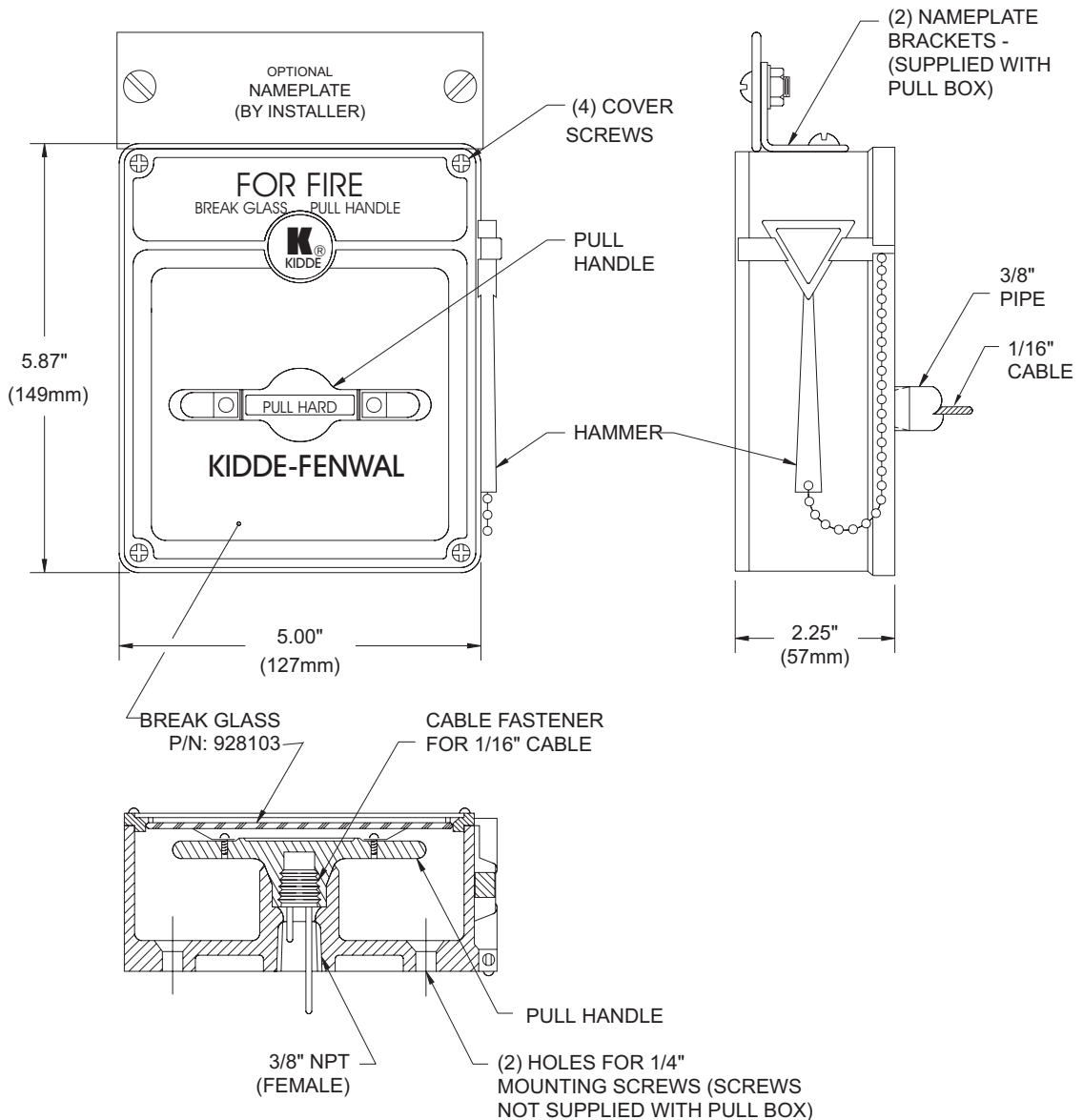


A UTC Fire & Security Company

Pull Box, Break Glass

Effective: April 2007
K-96-4040

P/N: 871403



This literature is provided for informational purposes only. KIDDE-FENWAL, INC. assumes no responsibility for the product's suitability for a particular application. The product must be properly applied to work correctly. If you need more information on this product, or if you have a particular problem or question, contact KIDDE-FENWAL, INC., Ashland, MA 01721. Telephone: (508) 881-2000.